



**fluimac**  
p u m p   s o l u t i o n

Made in Italy



GENERAL CATALOGUE





# fluimac

pump solution

Fluimac born from the experience and professionalism of the people who compose it. The knowledge made it possible to transform the available resources and specializations, to promote an advanced product and be able to answer to various customers' needs. People and product differentiation are the basis of our offer. Fluimac, in fact, is able to ensure, comprehensively and fast, technical support and assistance.



An innovative, young and dynamic company, with a newly developed product. The big experience in this field, of Fluimac's people, is the starting point and foundation of its business.

The organization of warehouse and assembly/testing department, allows the company to give short delivery times, immediate verification of availability and fast service assistance.

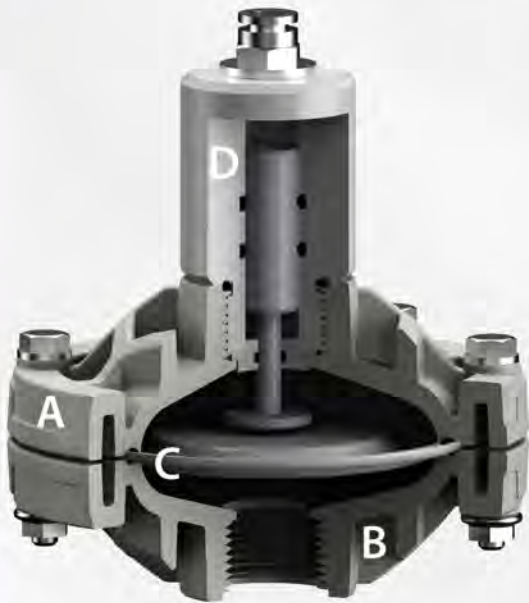


A quality company facing the international market, equipped with innovative products, able to provide adequate flexibility, fast delivery and after sales service.

# DAMPER

## New range of pneumatic pulsation dampener.

The new range of pneumatic pulsation dampener series DAMPER was developed with a new technology, which guarantees an optimal solution to minimize the pulsation effect of the flow. The high damping capacity can be up to 90%. The pulsation dampeners series DAMPER, not require adjustment or pre-loading, but it adapt to the fluid curve, automatically. The DAMPERs, mounted on the delivery of double diaphragm pumps, drastically reduce the pulsation, the hammerings and the vibrations of the pump.

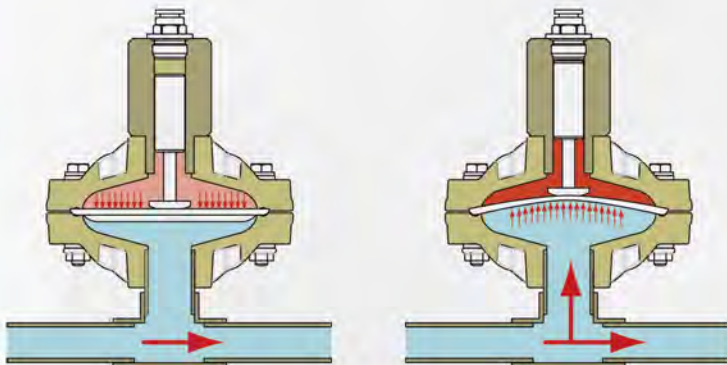


### MAIN FEATURES

- . Construction's materials: Polypropylene, PVDF, Aluminium, AISI 316.
- . Automatically, not need pre-loading.
- . Unlimited dry running
- . Various installations and configurations
- . ATEX certifications for Zone 1 and 2 in all versions
- . Easy to mantain

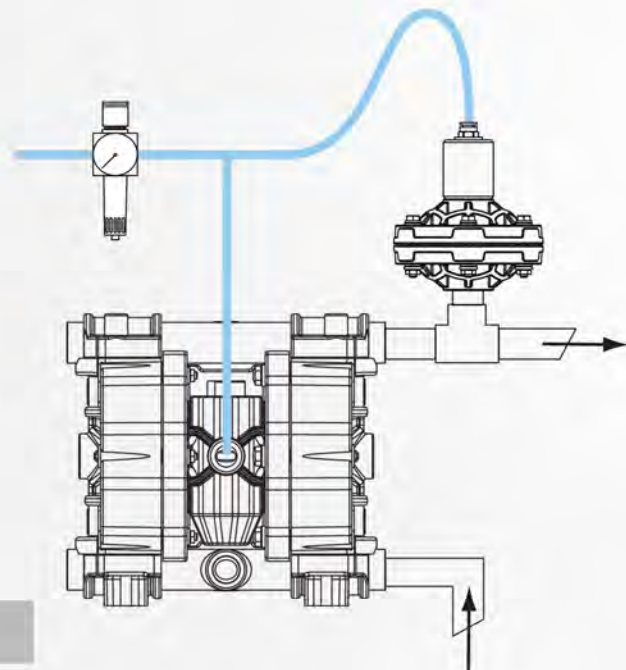
- A AIR BODY
- B FLUID BODY
- C DIAPHRAGM
- D CONTROL VALVE

### FUNCTION



Pulsating fluid passes trough the dampener which drives the control valve, which moves the diaphragm aligning the flow out

### INSTALLATION



### DAMPER COMPOSITION

| Damper Model | Damper Body                     | Air Diaphragm  | Fluid Diaphragm | Atex Version  |
|--------------|---------------------------------|----------------|-----------------|---------------|
| D020         | P - Polypropylene               | H - Hytrel     | T - PTFE        | X ATEX ZONA 1 |
| D025         | KC - PVDF+Cf                    | M - Santoprene |                 |               |
| D040         | S - SS AISI 316<br>A - Aluminum |                |                 |               |

# DAMPER 20

Pneumatic pulsation dampener for pumps: P10-P20-P30

## Technical data

Connections 3/4"  
Air connection 6 mm  
Max pressure 7 bar



PVDF



Alu



AISI



PP



# DAMPER 25

Pneumatic pulsation dampener for pumps: P50-P65-P100

## Technical data

Connections 1"  
Air connection 8 mm  
Max pressure 7 bar



PVDF



Alu



AISI



PP



# DAMPER 40

Pneumatic pulsation dampener for pumps: P500-700

## Technical data

Connections 1 1/2"  
Air connection 10 mm  
Max pressure 7 bar



PVDF



Alu



AISI



PP

