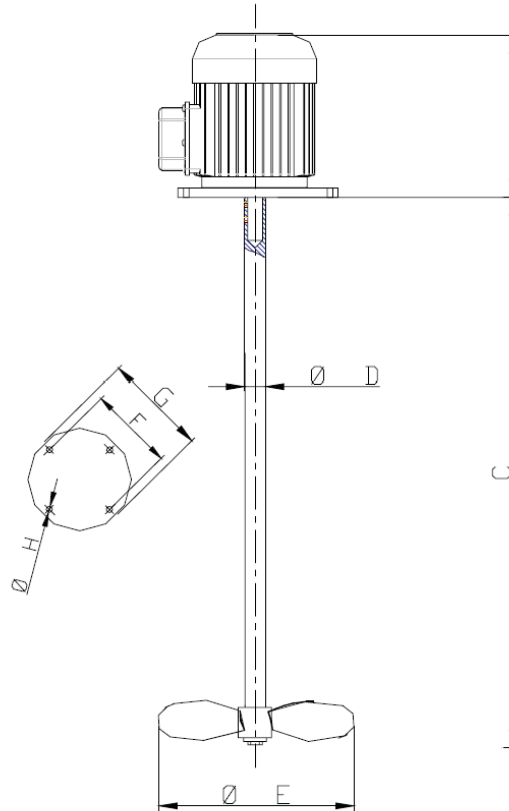


fluimac[®]
pump solution



MIXER

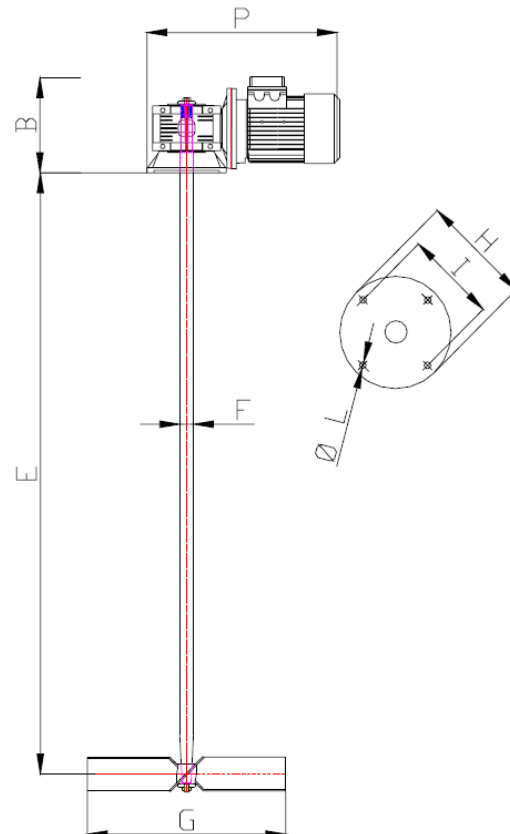
Swift mixers with low power rating Kw 0.37, easy and economic construction, for mixing on little tanks max 1 m³ for low viscosity fluid. Impeller "MARINE PROPELLER" inclination of 35°. Available in Aisi 304 or PVC coating.



	Kw	Rpm	C	D	E	F	G	H
AM 018-4	0,18	1400	600	20	110	115	140	4x9
AM 025-4	0,25	1400	800	20	120	130	160	4x9
AM 037-4	0,37	1400	900	20	130	130	160	4x9
AM 018-6	0,18	900	600	20	120	130	160	4x9
AM 025-6	0,25	900	800	20	130	130	160	4x10
AM 037-6	0,37	900	900	25	140	165	200	4x11

SERIES MR

Slow mixers, used in water treatment, on little-medium tank max 10 m³ of capacity. Impeller with 4 inclined blades. The shaft of the mixer is directly key coupled with the hollow shaft of worm gearbox. Available in Aisi 304-316 or PVC coating.

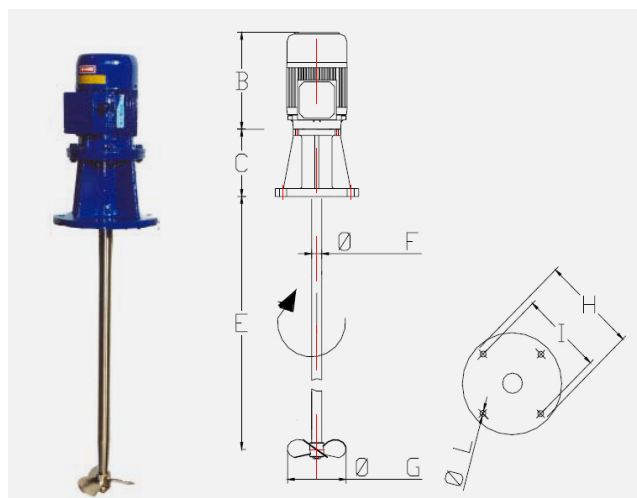


	Kw	Rpm	B	E	F	G	H	I	L	P
MR 018-4	0,18	140	140	700	25	200	140	115	4x9	320
MR 025-4	0,25	90	180	800	30	300	160	130	4x10	360
MR 037-4	0,37	90	180	1000	30	350	160	130	4x10	360
MR 055-4	0,55	90	220	1000	35	400	200	165	4x12	420
MR 075-4	0,75	90	220	1200	35	500	200	165	4x12	420
MR 110-4	1,1	90	250	1500	35	550	200	165	4x12	500
MR 150-4	1,5	70	250	1500	40	700	200	165	4x12	520

Swift mixer with rigid coupling to 4-6-8 poles motors equipped whit a stuffing box and radial bearing and gasket ring.

Impeller "MARINE PROPELLER" inclination of 35°. These mixers are particularly suitable for mixing or dissolution of products whit low viscosity in little-medium tank.

Material Aisi 304-316 supplied whit shaft and impeller.



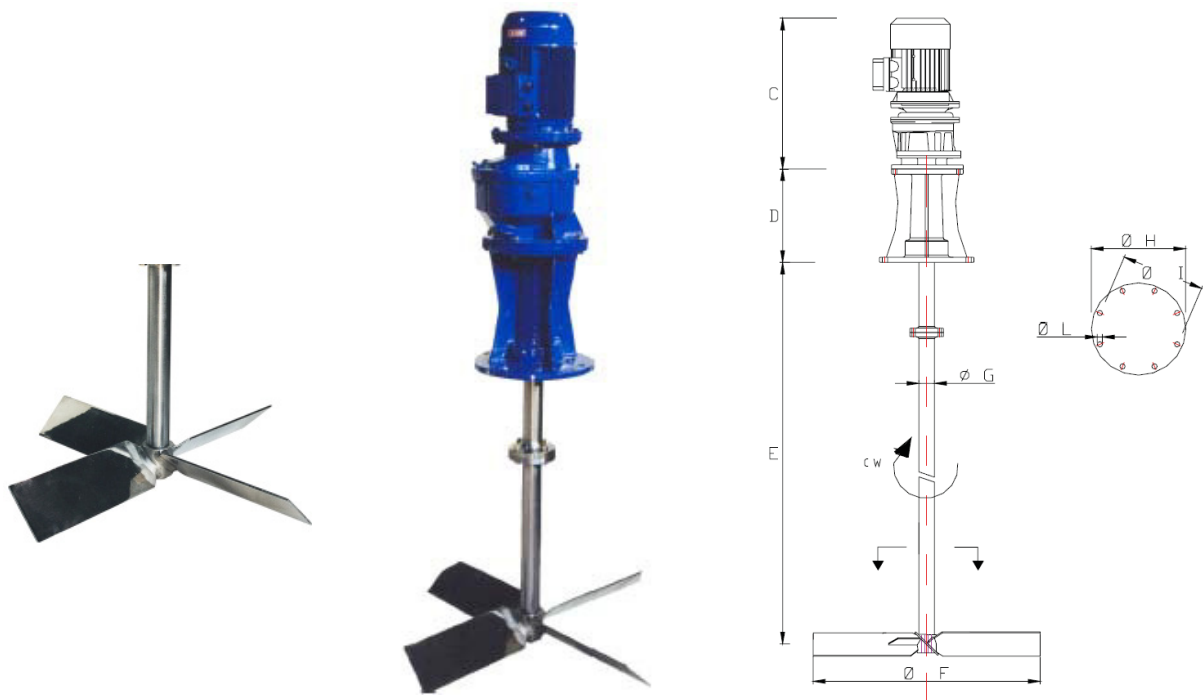
	Kw	Rpm	B	C	E	F	G	H	I	L
SL 018-4	0,18	1400	180	120	600	25	110	160	130	4x14
SL 025-4	0,25	1400	200	120	600	25	110	160	130	4x14
SL 037-4	0,37	1400	200	120	800	25	120	160	130	4x14
SL 055-4	0,55	1400	240	165	900	30	140	210	170	4x18
SL 075-4	0,75	1400	240	165	1000	30	150	210	170	4x18
SL 110-4	1,1	1400	260	200	1250	35	160	265	225	8x18
SL 150-4	1,5	1400	280	200	1500	35	170	265	225	8x18

	Kw	Rpm	B	C	E	F	G	H	I	L
SL 018-6	0,18	900	200	120	600	25	110	160	130	4x14
SL 025-6	0,25	900	200	120	600	25	120	160	130	4x14
SL 037-6	0,37	900	240	165	800	30	130	160	130	4x14
SL 055-6	0,55	900	240	165	900	30	150	210	170	4x18
SL 075-6	0,75	900	260	165	1000	30	160	210	170	4x18
SL 110-6	1,1	900	280	200	1250	35	170	265	225	8x18
SL 150-6	1,5	900	300	200	1500	35	190	265	225	8x18

	Kw	Rpm	B	C	E	F	G	H	I	L
SL 025-8	0,25	700	240	165	800	30	160	210	170	4x14
SL 037-8	0,37	700	260	165	800	30	180	210	170	4x14
SL 055-8	0,55	700	280	165	1000	30	200	210	170	4x18
SL 075-8	0,75	700	280	200	1000	30	220	265	225	8x18
SL 110-8	1,1	700	280	200	1200	35	240	265	225	8x18
SL 150-8	1,5	700	300	300	1500	40	260	320	280	8x18

SERIES RLV

Slow mixers fitted with gear-box coupled to the shaft power.
 Shaft available in Aisi 304-316 or sheathed rubber. Impellers: Turbine type or special profile.
 These agitators are particularly suitable for mixing of solution with middle density-viscosity.
 Used on water treatment and chemical plants on medium-large tanks.
 This series is completed with equipment max rating kw 15, and max length max 5 mt.



	Kw	Rpm	C	D	E	F	G	H	I	L
RLV 025-4	0,25	212	340	120	800	250	25	160	130	4x14
RLV 037-4	0,37	212	340	120	800	300	25	160	130	4x14
RLV 055-4	0,55	137	380	160	1000	400	30	210	170	4x18
RLV 075-4	0,75	110	430	200	1500	500	35	265	225	8x18
RLV 110-4	1,1	90	540	200	1500	550	35	265	225	8x18
RLV 150-4	1,5	90	580	200	1500	600	35	265	225	8x18
RLV 150-4	1,5	70	580	200	2000	650	40	265	225	8x18
RLV 220-4	2,2	90	620	300	2000	750	45	320	280	8x18
RLV 220-4	2,2	56	620	300	2500	750	50	320	280	8x18
RLV 300-4	3	56	720	400	3000	1000	60	395	350	8x22

fluimac[®]
pump solution

in the world

